

Block Up-Converter (BUC)

Ku-Band 4W IFL



◆ Company Overview

RevGo designs and manufactures satellite earth station RF from low to medium power. RevGo was founded in 2002 with its headquarters in the Washington DC corridor. RevGo's broad VSAT product line is produced to stringent quality standards using an ISO9001:2015 quality system:

- Block upconverter (BUC)
- Low noise block (LNB)
- Transceiver (Tx/Rx/OMT/filters)
- C-, Ku-, DBS-, Ka-bands
- 2 to 300W output power

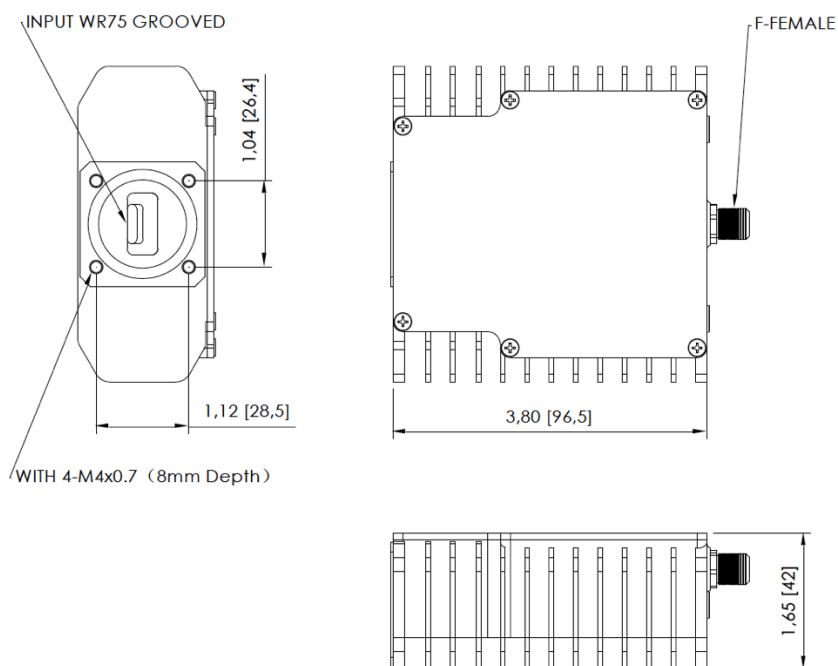
◆ Reliability

- Highly integrated RF technologies (RFIC and GaN)
- Designed for high volume production
- Linearity optimized for high order modulation and high data rate
- Strict quality control processes resulting in <0.25% field failure rates

◆ Product Features

- Low power consumption 30W (@36dBm)
- Compact and light weight (1 lbs / 0.5 kg)
- IFL input power or option for separate DC connector
- Low phase noise (exceeds IESS308/309)
- Rugged design for extreme environments (-40 to +60°C)

◆ Mechanical Diagram (Unit: inch (mm))



◆ Typical VSAT Applications

- Maritime
- 5G Backhaul
- SNG Vehicle
- Terminals
 - Fixed
 - Portable
 - Transportable

UNIT: in (mm)

Block Up-Converter (BUC)

Ku-Band 4W IFL



SPECIFICATIONS

◆ RF Specifications

RF Frequency	<u>Standard</u> 14-14.50 MHz	<u>Extended</u> 13.75-14.50 GHz
IF Frequency	950-1450 MHz 950-1700 MHz	
External Ref	10 MHz, 0 ± 5 dBm	
Output Power Saturated	36 dBm	
IMD3 (33dBm)	- 25 dBc	
Small Signal Gain	57 dB	
Gain Variation	1 dB p-p / 36 MHz 4 dB p-p / 500 MHz 5 dB p-p / 750 MHz	
Gain stability	+/-2 dB p-p	
Rx Noise Density	-144 dBm/Hz @ 10.95-12.75 GHz	
Phase Noise	-60 dBc / Hz @ 100 Hz -70 dBc / Hz @ 1 KHz -80 dBc / Hz @ 10 KHz -90 dBc / Hz @ 100 KHz	
Output Spurious	-55 dBc	

◆ Power Supply

Input Power	+18 to +36 vDC via IFL port
Power Consumption @ 36 dBm Output	30W

◆ Interfaces

RF Output Connector	WR75-G (Grooved)
IF Connector	N-Type Female F-Type Female (optional)
RF Output VSWR	2:1
Power	IFL
Alarm Status Indicator	LED (green/red)

◆ Physical Parameters

Size (inches)	3.8*3.8*1.7
(mm)	97*97*42
Weight (lbs)	1.1
(kg)	0.5
Operating Temperature	-40 to +60°C
Humidity	0-100% (condensing)
Altitude	0-10,000 feet ASL

◆ Part Number / Ordering Information

RGUC – U <u>a</u> 04 – 24NA - <u>b</u>	
<u>a</u> : Frequency Range	<u>b</u> : IF Connector
1 = 14.0-14.5 GHz	N = N-Type Female
2 = 13.75-14.5 GHz	F = F-Type Female

◆ Contact Information

Website:	www.RevGoGroup.com	
Telephone:	+1 (703) 860-3522	
E-mail:	Sales@RevGoGroup.com	
Address:	12007 Sunrise Valley Dr., #450 Reston, VA 20191 USA	