

Block Up-Converter

Ku Band 3W



Company Overview

RevGo designs and manufactures satellite earth station RF from low to medium power. RevGo was founded in 2002 with its headquarters in the Washington DC corridor. RevGo's broad VSAT product line is produced to stringent quality standards using an ISO9001:2015 quality system:

- Block upconverter (BUC)
- Low noise block (LNB)
- Transceiver (Tx/Rx/OMT/filters)
- C-, Ku-, DBS-, Ka-bands
- 2 to 300W output power

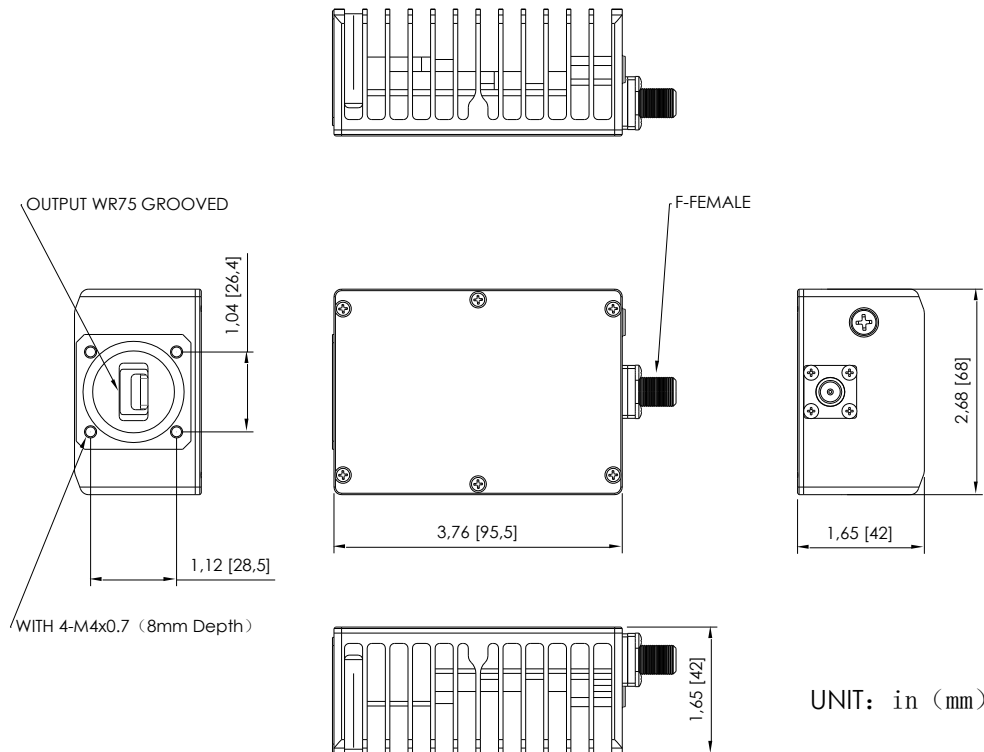
Reliability

- Highly integrated RF technologies (RFIC and GaN)
- Designed for high volume production
- Linearity optimized for high order modulation and high data rate
- Strict quality control processes resulting in <0.25% field failure rates

Product Features

- Low power consumption 18W (@34dBm)
- Compact and light weight (0.77 lbs / 0.35 kg)
- IFL input power
- Low phase noise (exceeds IESS308/309)
- Rugged design for extreme environments (-40 to +60°C)

Mechanical Diagram (Unit: inch [mm])



Typical VSAT Applications

- Maritime
- 5G Backhaul
- SNG Vehicle
- Terminals
 - Fixed
 - Portable
 - Transportable



Block Up-Converter

Ku Band 3W



SPECIFICATIONS

◆ RF Specifications

RF Frequency	<u>Standard</u>	<u>Extended</u>
	14-14.50 GHz	13.75-14.50 GHz
IF Frequency	950-1450 MHz	950-1700 MHz
External Ref	10 MHz, 0 ± 5 dBm	
Output Power		
Saturated	34.5 dBm typ.	
Rated	34 dBm	
IMD3	-24 dBc typ. @31dBm	
Small Signal Gain	53 dB min.	
Gain Variation	1 dB p-p / 36 MHz	
	4 dB p-p / 500 MHz	
	5 dB p-p / 750 MHz	
Gain stability	4 dB p-p	
Rx Noise Density	-144 dBm/Hz	
	@ 10.95-12.75 GHz	
Phase Noise	-73 dBc / Hz @ 1 KHz	
	-83 dBc / Hz @ 10 KHz	
	-93 dBc / Hz @ 100 KHz	
Output Spurious	-50 dBc	

◆ Power Supply

Input Power	+12 to +36 VDC via IFL port
Power Consumption	
@ 34 dBm	18W typ.

◆ Interfaces

RF Output Connector	WR75-G (Grooved)
RF Output VSWR	2:1
IF Connector	N-Type Female
	F-Type Female (optional)
IF Output VSWR	2:1
Power	IFL
Alarm Status Indicator	LED (green/red)

◆ Physical Parameters

Size (inches)	3.75*2.67*1.65
(mm)	95.5*68*42
Weight (lbs)	0.77
(kg)	0.35
Operating Temperature	-40 to +55°C
Humidity	0-100% (condensing)
Altitude	0-10,000 feet ASL

◆ Part Number / Ordering Information

RGUC-U _a 003-24NA _b - _c	
a: Frequency Range	b: IF Connector
1 = 14.0-14.5 GHz	N = N-Type Female
2 = 13.75-14.5 GHz	F = F-Type Female

◆ Contact Information

Website:	www.revgo-global.com
Telephone:	+1 (703) 348-9933
E-mail:	Sales@RevGoGroup.com
Address:	12007 Sunrise Valley Dr., #450 Reston, VA 20191 USA

