

# Block Up-Converter (BUC) C-Band 200W



## ◆ Company Overview

RevGo designs and manufactures satellite earth station RF from low to high power. RevGo was founded in 2002 with its headquarters in the Washington DC corridor. RevGo's broad VSAT product line is produced to stringent quality standards using an ISO9001:2015 quality system:

- Block up-converter (BUC)
- Low noise block (LNB)
- Transceiver (Tx/Rx/OMT/filters)
- C-, Ku-, DBS-, Ka-bands
- 3 to 1000W output power

## ◆ Reliability

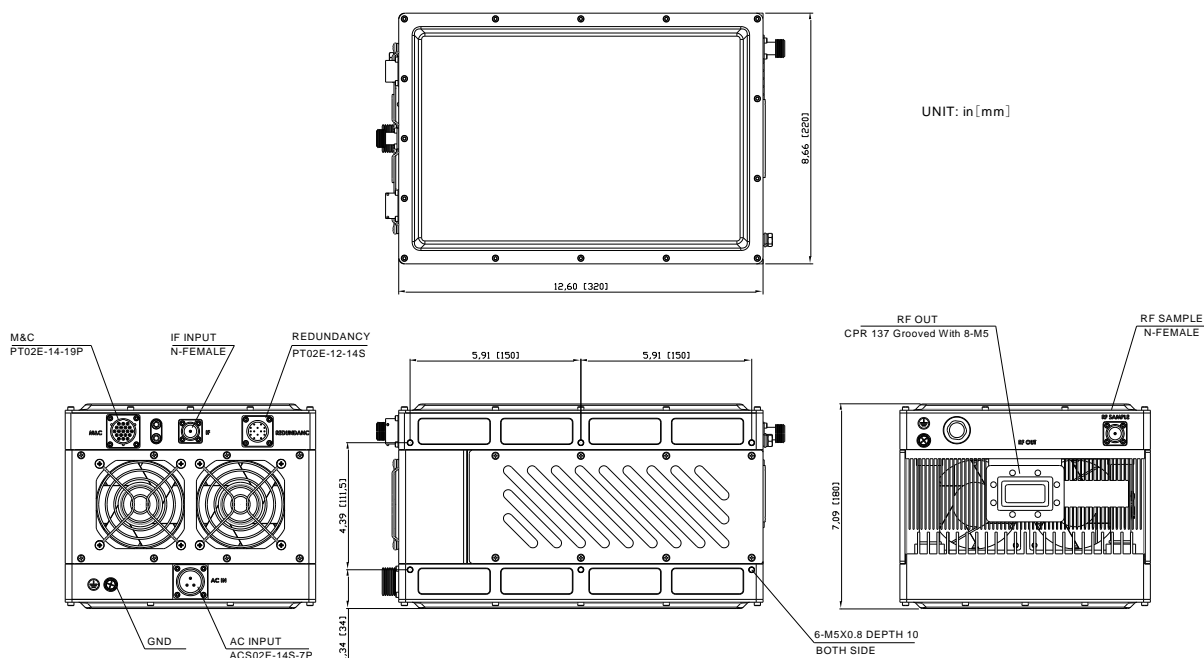
- Highly integrated RF technologies (RFIC and GaN)
- Designed for high volume production
- Linearity optimized for high order modulation and high data rate
- Strict quality control processes resulting in <0.25% field failure rates

## ◆ Product Features

### 200W BUC

- Variable power consumption 850 W @ 53 dBm
- Integrated equipment failure switching (1:1 redundancy ready)
- Supports internal and external reference optional.
- Optional equipment redundancy configurations.
- Low phase noise (exceeds IESS308/309)
- Rugged design for extreme environments (-40 to +60°C)
- M&C with real-time clock, event log, web interface, Open-BMIP (BMIP calibration table is an option)

## ◆ Mechanical Diagram Unit: inch [mm]



## ◆ Typical Applications

- Maritime
- 5G Backhaul
- Terminals
  - Fixed
  - Portable
  - Transportable

# Block Up-Converter (BUC) C-Band 200W



## SPECIFICATIONS

### RF Specifications

RF Frequency	<u>Standard</u>	<u>Extended</u>
	5.850-6.425 GHz	5.850-6.725 GHz
IF Frequency	950-1525 MHz	950-1825 MHz
External Ref	10 MHz, 0±5 dBm	
Internal Ref (optional)	10 MHz, 0±5 dBm	
Oscillator accuracy	< ± 300 ppb	
Oscillator stability	< ± 8 ppb	
Output Power	<b>200W BUC</b>	
Rated/Saturated	53 dBm	
PLin <sup>1</sup>	52 dBm	
PLin <sup>2</sup>	51 dBm	
PLin <sup>3</sup>	50 dBm min.	
IMD3 @PLin <sup>3</sup>	- 25 dBc	
Small Signal Gain	75 dB	
Gain Variation	1.5 dB p-p / 36 MHz 3 dB p-p / 575 MHz 4 dB p-p / 875 MHz	
Gain stability	3 dB p-p	
Gain Adjustment	20 dB (55-75 dB, Step: 0.1 dB)	
TX noise density	-76 dBm/Hz	
RX noise density	-150 dBm/Hz	
Phase Noise	-68 dBc / Hz @ 100 Hz -80 dBc / Hz @ 1 KHz -90 dBc / Hz @ 10 KHz -95 dBc / Hz @ 100 KHz -115 dBc / Hz @ 1MHz	
Output Spurious	-60 dBc	

#### Notes:

- PLin<sup>1</sup>: -26 dBc regrowth, 1.5 SR (commercial satellite)  
 PLin<sup>2</sup>: -30 dBc regrowth, 1.0 SR (MIL-STD-188-164B, one-carrier)  
 PLin<sup>3</sup>: <-25 dBc IMD3

### Part Number / Ordering Information

RGUC-Ca200-ACRbN-Cc	
<b>a:</b> Frequency Range	<b>b:</b> Reference
1 = 5.850-6.425 GHz	E = External reference
2 = 5.850-6.725 GHz	L = auto-sense reference
<b>c:</b> openBmip	
0 = without openBmip tables	
p = with openBmip tables	

### Power Supply

Input Power	100 to 240 VAC (50-60 Hz)
Power Consumption	<b>200W BUC</b>
@ Rated Output	850 W

### Interfaces

RF Output Connector	WR137-G (Grooved)
RF Output VSWR	1.25:1
IF Connector	N-Type Female
IF Input VSWR	1.5:1
Power Connector	ACS02E-14S-7P
M&C Connector	PT02E-14-19P SNMPv2
Redundancy Connector	PT02E-12-14S
Alarm Status Indicator	Green ON      Red Flash
LED*2	Normal      PLL Alarm

### Physical Parameters

Size (inch)	12.59*8.66*7.08
(mm)	320*220*180
Weight (lbs)	26.45
(kg)	12
Operating Temperature	-40 to +60°C (guarantee)
Humidity	0-100% (condensing)
Altitude	0-10,000 feet ASL

### Contact Information

Website:	www.revgo-global.com
Telephone:	+1 (703) 348-9933
E-mail:	Sales@RevGoGroup.com
Address:	12007 Sunrise Valley Dr., #450 Reston, VA 20191 USA



# Block Up-Converter (BUC) C-Band 200W



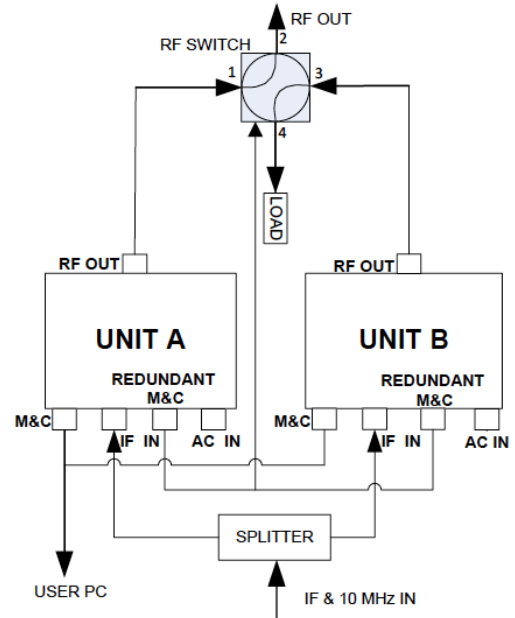
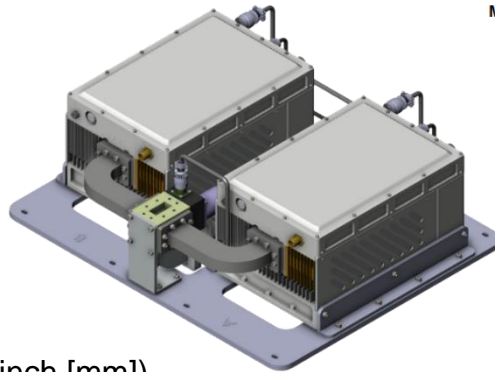
## Optional 1:1 Redundancy Configuration

In the event of an equipment failure, the optional 1:1 redundancy kit switches traffic from the primary BUC to the standby BUC.

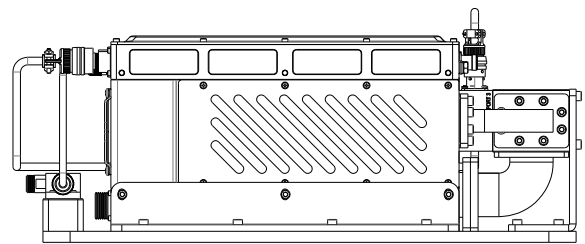
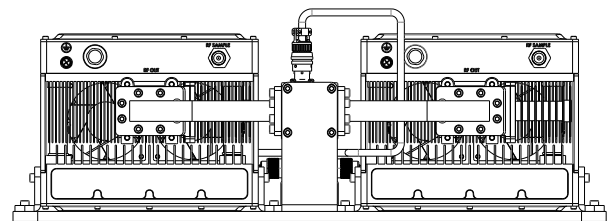
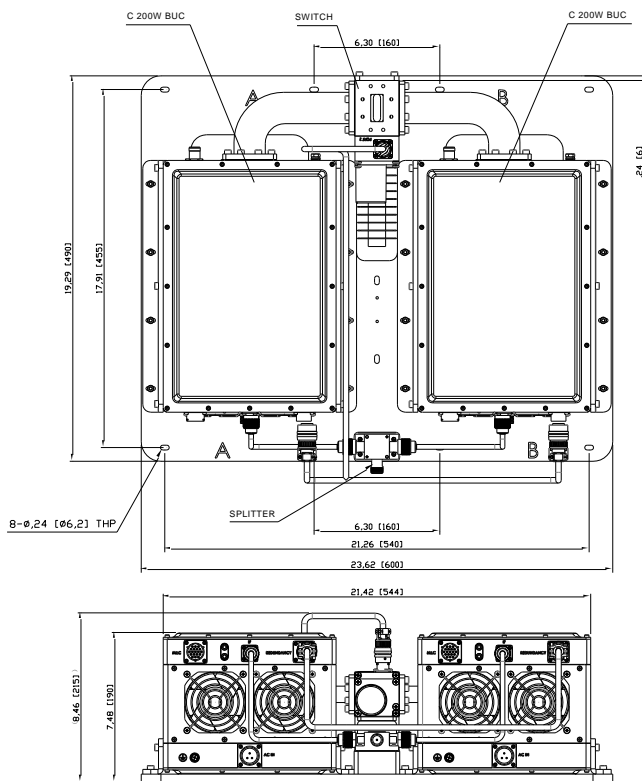
- Compatibility: 200W BUC
- Switching Function: Auto or Manual
- Type of Standby: Cold-backup or Hot-backup
- Rugged design for extreme environments
- Supports front panel control and remote control

### ◆ Items Included in Kit

- WR-137 waveguide switch \*1
- WR-137 Hi Power Load \*1
- Waveguide \*2
- Splitter \*1
- Interconnection cabling
- Mounting Frame x1



### ◆ Mechanical Diagram (Unit: inch [mm])



### ◆ Part Number / Ordering Information

**RGXA - C200RK - A0**  
Optional 1:1 Redundancy Kit

### ◆ Contact Information

**Website:** [www.revgo.com](http://www.revgo.com)

**Telephone:** +1 (703) 348-9933

**E-mail:** [Sales@RevGoGroup.com](mailto:Sales@RevGoGroup.com)

**Address:** 12007 Sunrise Valley Dr., #450 Reston, VA 20191 USA

